

Take a proven successful product and make it better. Everything that is good in the Helium is still apparent. The waterproof and solid hybrid tunnel structure with an array features have been enhanced with the introduction of lighter groundsheet and inner tent. Want to get somewhere fast. Travel Superlite.

HELIUM SUPERLITE

100&200

2011
UPDATED



BLACK

100 TEXHELIUMB05S89

200 TEXHELIUMB05S77

Fabrics: Flysheet: Protex® 20D SPU 5000 ripstop nylon

Inner: Lightweight 40D ripstop nylon

Groundsheet: Protex® 20D SPU 5000

Poles: F10 Flexlite ø7.9mm

Pitching: 'As one' or flysheet first

● Poles lighter for 2011: F10 Flexlite poles ø7.9mm

- Protex® 20D SPU 5000 Ripstop Nylon
- Lightweight 40D ripstop nylon inner
- Protex® 20D SPU 5000 groundsheet
- Pre-angled poles
- TBS® Pro – Tension Band System
- Hybrid tunnel design
- Flat pole sleeves
- Line-lok guyline runners
- Taped seams
- Inner tent pockets
- 'O' shaped inner doors
- Rain stop flysheet door
- Flysheet door can be opened as a vent

100

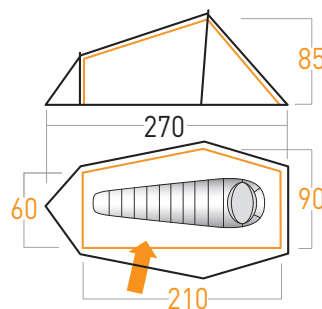
Capacity: 1 person

Trail weight: 940g

Total weight: 970g

Pack size: 40 x ø10cm

Pitching time: 7 mins



200

Capacity: 2 person

Trail weight: 1070g

Total weight: 1120g

Pack size: 40 ø12cm

Pitching time: 7 mins

