

# ICARUS 500

The Icarus was the best selling Vango tent in 2010. Its easy to pitch, 'flysheet first' structure, with generous living area and well proportioned sleeping areas, make the Icarus perfect for weekend camps.

**5**  
PERSON

13.70kg

70x32  
x28cm

PITCH IN 10MINS

UPDATED  
For 2011

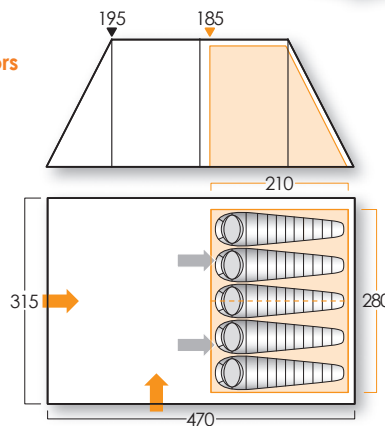
**Surf Blue**  
TEFICARUS SB2177



**Moss**  
TEFICARUS M26177

- Fabrics:** Flysheet: Protex® 3000 polyester embossed
- Inner: Breathable 190T polyester
- Groundsheets: Polyethylene 10,000
- Windows: PVC
- Poles:** PowerFlex® fibreglass + TBS® II
- Pitching:** Flysheet-first

- 3000 HH
- Vango Air-Zone - Large Venting Panels
- Fully enclosed groundsheet with step over doors
- Vango easy-pitch tunnel
- Vango 'lights out' inner tent
- Vango pelmet
- Easy find orange inner clips
- Part mesh inner door
- Roll back inner divider
- Mesh doors
- Mesh ventilation
- Windows have internal curtains
- Storage solutions
- Lantern loop
- Zipped cable entry point
- Fire retardant fabric



Supplied with handled carry bag

## MUST BUY ACCESSORIES



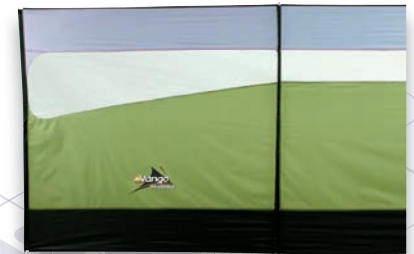
**Front Enclosed Canopy**

Surf Blue TEFKANOPY I95TFL / Moss TEFKANOPY I91TFL



**King Poles**

180cm ACXKINGPO3D6Z01 / 210cm ACXKINGPO3D7Z01



**4-Pole Windbreak**

True Navy TEFWINDBR T49TAC  
Moss TEFWINDBR M3FTAC

**6-Pole Windbreak**

True Navy TEFWINDBR T49TAD  
Moss TEFWINDBR M3FTAD



**Carpet**

Covers living area of tent  
**Blue** TEFCARPET I92177  
**Green** TEFCARPET I93177

**Footprint**

Covers entire floor area of tent  
TEFFOOTP I94177