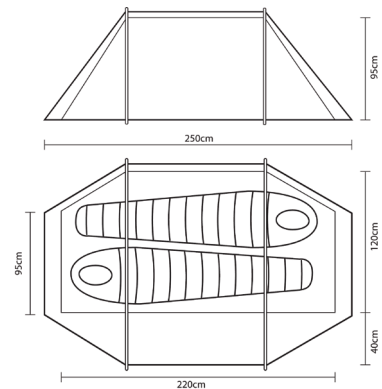


# Aspect 2

- \* Everything you need for a comfortable trip for a fraction of the price
- \* Flysheet door can be turned into an awning using walking poles
- \* Small rear door provides flexibility for 2
- \* Fully taped fly and ground sheet
- \* High quality DAC poles
- \* Awning poles sold separately



Sleeps	2
Poles	9mm DAC
Minimum weight	2.05kg
Packed weight	2.20kg
Pack size	40cm x 12cm
Pitch type	flysheet first
Model type	tunnel
Number of porches	1
<b>Dimensions</b>	
Max. internal height	95cm
Inner length	120cm
<b>Season Rating:</b> 3-4 season backpacking	
<b>User Range:</b> Lightweight backpacking	

## MATERIALS

	Flysheet	Ground sheet
Fabric	Polyester	Polyester
Hydrostatic Head	3000mm	5000mm

## FEATURES

### Accommodation

- Full mesh screen on inner door
- Storage pocket

### Weather Protection

- Bath tub groundsheet
- Guaranteed Waterproof
- Full zip flaps on doors

### Pitching

- Easy to pitch with only 2 poles and minimal pegs required
- 15g Steel pegs
- White guyropes

### Other

- Full repairs service
- Comprehensive guarantee

### Accessories

- Groundsheet Protector
- Awning poles

WILD



COUNTRY  
by Terra Nova